

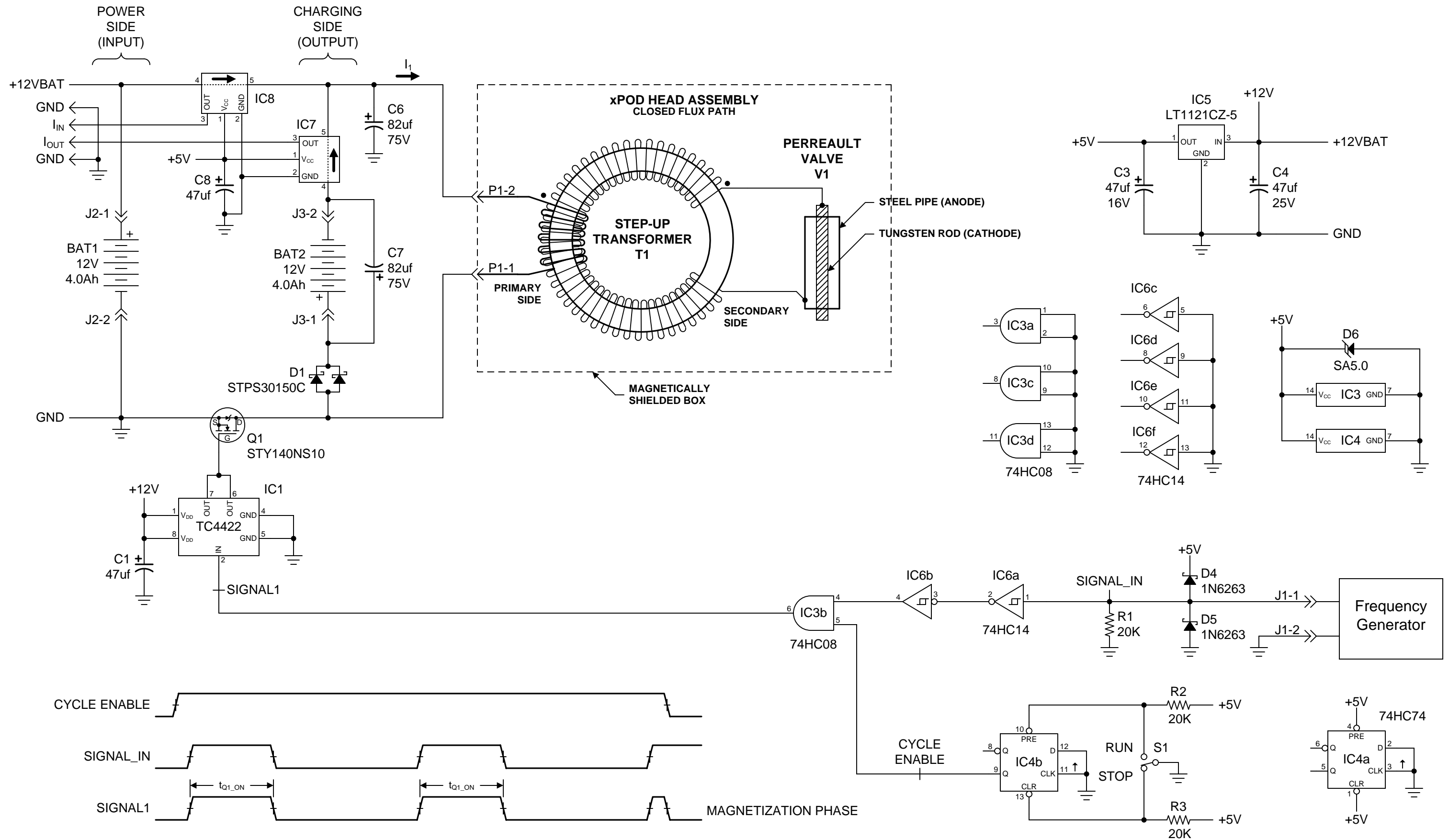
# **Testing the xPOD Head Assembly Using the Perreault Valve**

REV. 2.0

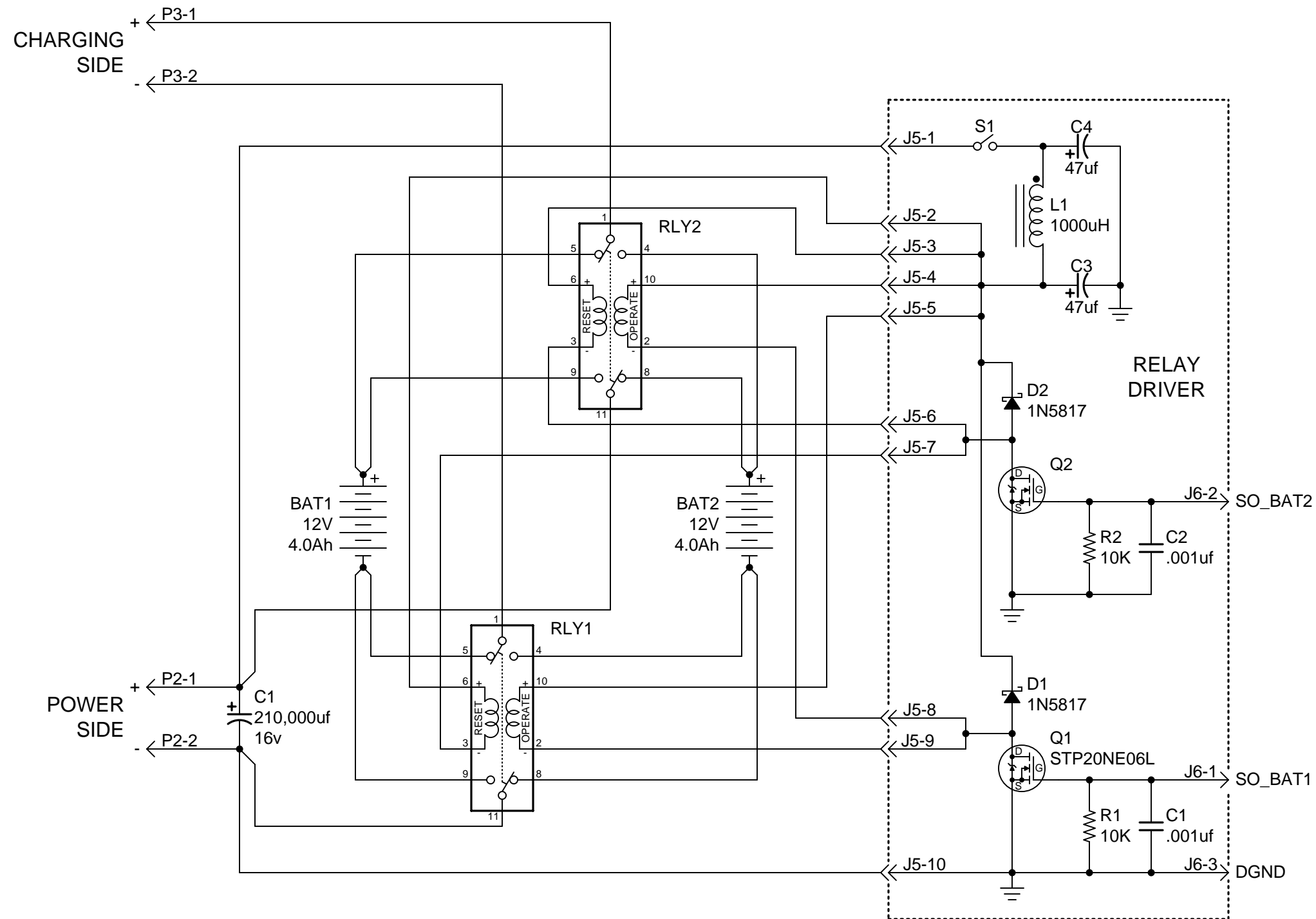
## **INTALEK, INC.**

3506-43rd. Place  
Highland, IN  
46322

CONTACT INFO:  
PHONE: 219.924.2742  
EMAIL: [infobox01@intalek.com](mailto:infobox01@intalek.com)







PULSED INPUT	RLY1 & RLY2 STATE	RLY1 & RLY2 PINS	SELECT OUTPUT
SO_BAT1	OPERATE	1-4; 11-9	BAT1
SO_BAT2	RESET	1-5; 11-8	BAT2

**NOTE:** Relays RLY1 and RLY2 are magnetic latching type.